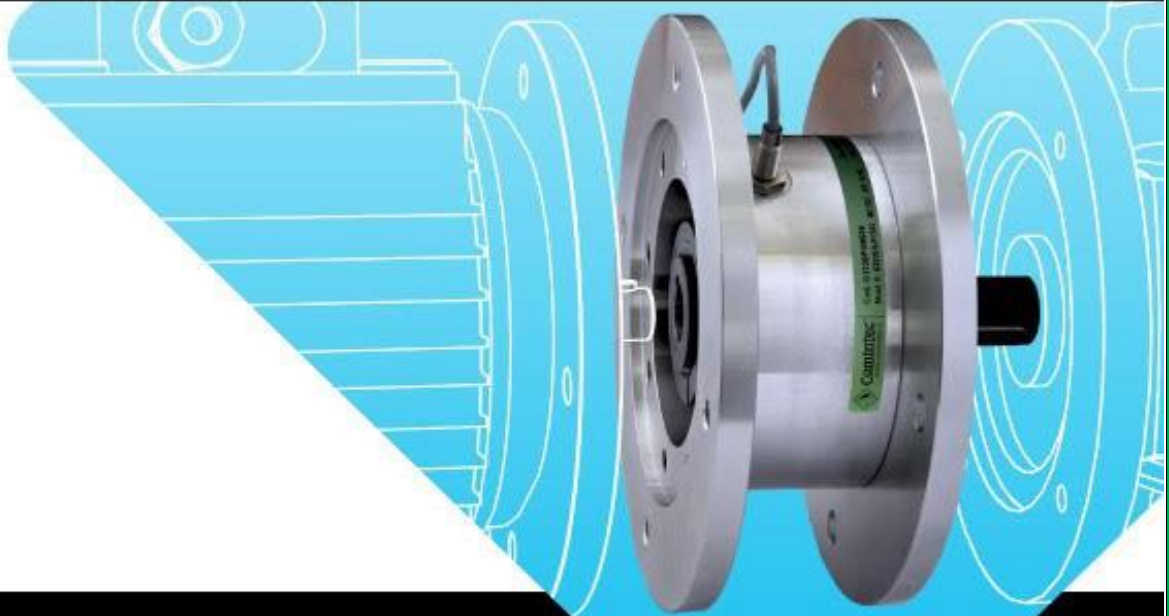




PROTECT YOUR TRANSMISSION SYSTEM

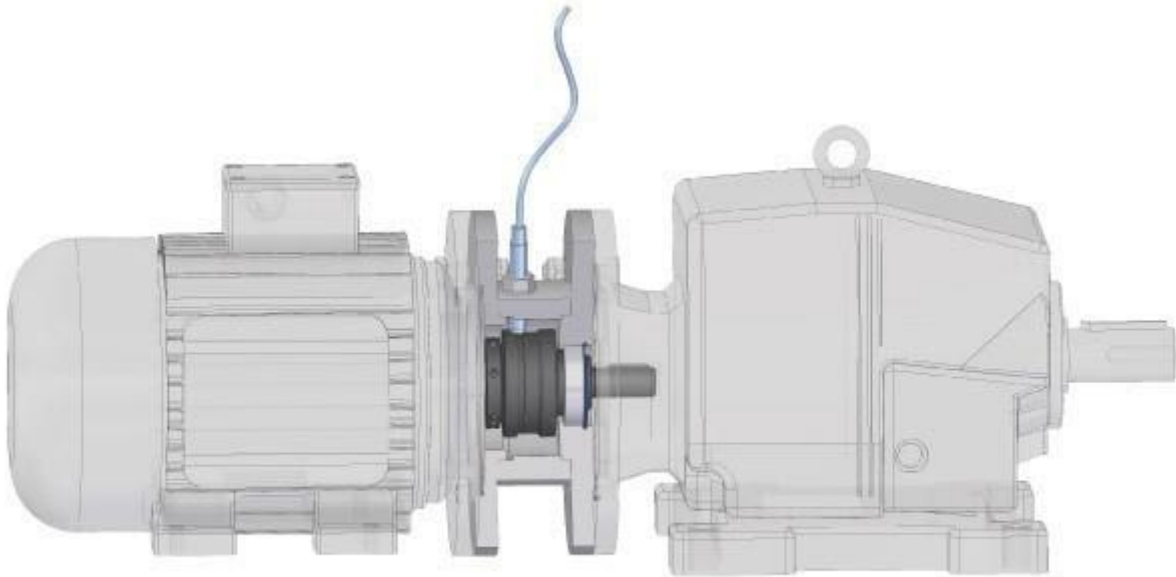


.../PR-V

TORQUE LIMITERS FOR GEARBOXES Up to 1200 Nm

COMINTEC PR-V GEARBOX TORQUE LIMITERS PROTECT YOUR MOST EXPENSIVE SYSTEM COMPONENTS FROM TORQUE OVERLOADS. MOUNTED BETWEEN THE MOTOR AND THE GEARBOX INSTANTLY DISENGAGES COMPONENTS BEFORE DAMAGE OCCURS.

- Overload protection
- Easy assembly and setting
- Maintenance free
- IP67 level of water ingress protection
- High corrosion resistance
- ATEX version on request
- Precision setting
- Special treatment for food/pharma applications



Applications

- Food & Beverage Equipment
- Wastewater Treatment
- Packaging Equipment
- Shredders/Recycling

Construction

- Ball detent style
- Housing: Standard Zinc plated steel
- Torque Limiter: Machined Steel
- Sensor: inductive proximity integrated

How it works

- Mounts directly to the motor and gearbox
- Suited for flange motors and gearbox
- No design work required
- Instant disengagement

Technical

- Units are preset to requested torque setting
- Torque setting is adjustable and easy to change
- Automatic reset after 360° rotation
- IP67 rated

AVAILABLE MODELS:

- **DSS/F/SG/PR-V** - backlash free ball model for gearboxes
- **DF/TAC/PR-V** - friction model for gearboxes