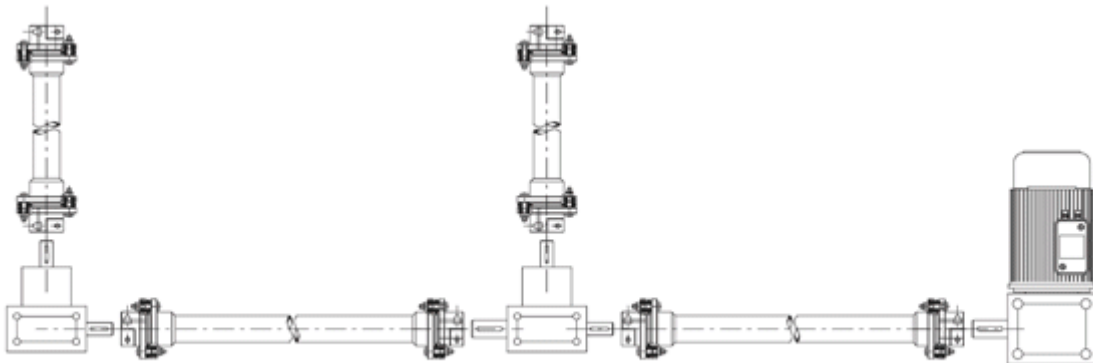




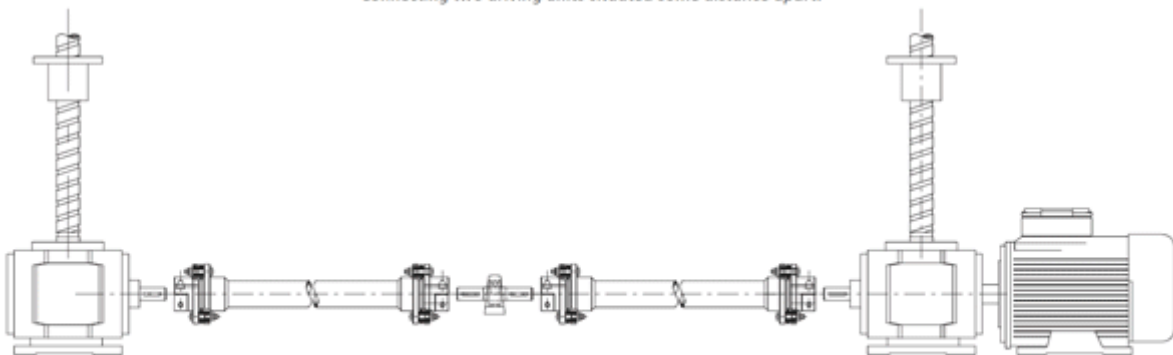
SPACER COUPLINGS THE IDEAL SYSTEM FOR REMOTE TRANSMISSION



The best system used to connect components of a kinematic process, even when they are away from each other, without the aid of additional intermediate components.



Connecting two driving units situated some distance apart.



In the case of DBSE > 3 m with high speed, it is necessary to use an intermediate shaft with support and bearing

ADVANTAGES

- Simplification of the components' structure in order to reduce likely sources of unnecessary maintenance.
- Simplicity in the assembly process in order to reduce downtime.
- Optimization of the price/performance ratio.

PRODUCTS

- **GAS/SG/DBSE-AL**: backlash free jaw spacer coupling with flexible elements made of elastomer material.
- **GTR/DBSE**: torsionally rigid spacer coupling with flexible elements made of disk packs of stainless steel.
- **GSF/DBSE**: bellows spacer couplings in which the flexible elements are made of stainless steel bellows.

[CLICK HERE FOR FURTHER INFORMATION](#)

ComInTec Srl - Via Dell'Artigiano, 9 - 40055 - Villanova di Castenaso - Bologna - Italy
Tel: +39 051 780216 - Fax +39 051 782256 - info@comintec.it - www.comintec.com

