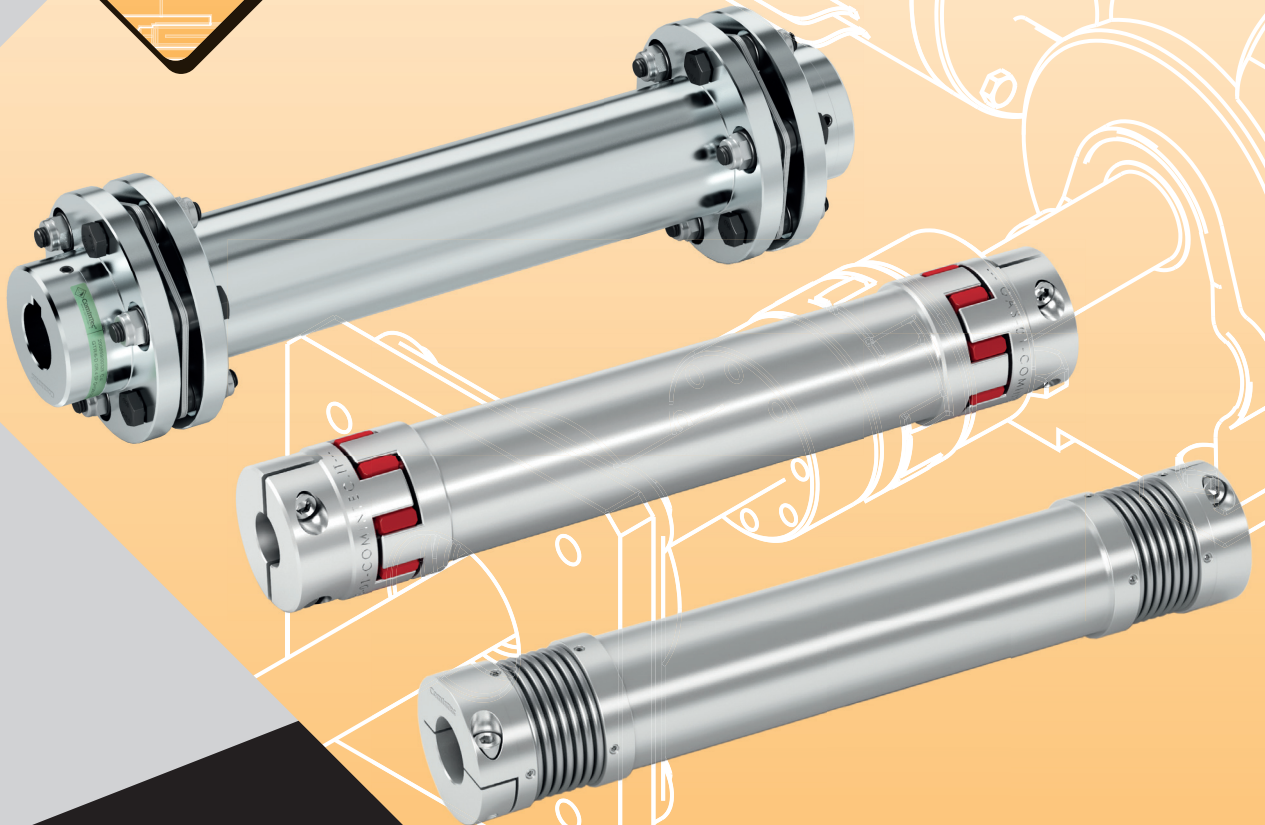


**SPACER
SHAFT
COUPLING**



ComIntec[®]
Technology for Safety

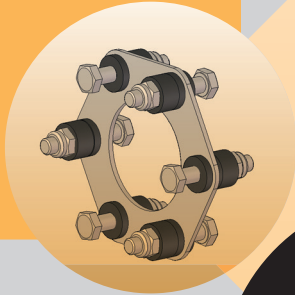
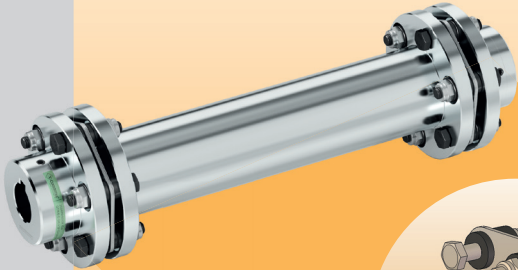


- Easy to assemble
- Simplified operation and parts
- Customised spacer
- Various hub clamping solutions
- High torsional rigidity
- Excellent price/performance ratio

**SPACER SHAFT COUPLINGS
MADE TO MEASURE**

.../DBSE

THE BEST SYSTEM FOR CONNECTING SEPARATED ROTATING SHAFTS



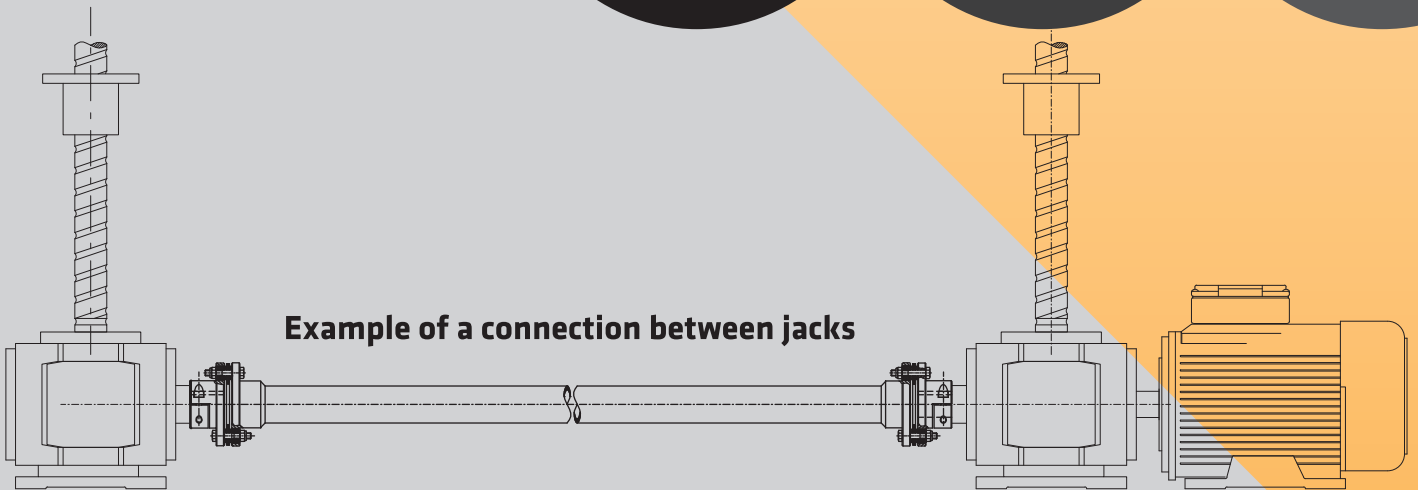
GTR/DBSE Torsionally rigid spacer shaft coupling with flexible disc pack elements

- Hubs and spacer made of fully turned steel
- Stainless steel disc packs
- No torsional play
- Corrosion-proof galvanising
- Can be used at high temperatures
- Maintenance free
- Customised welded spacer to achieve high torsional rigidity
- Various hub clamping solutions

1 SIMPLIFIED
INDIVIDUAL
PART
OPERATION

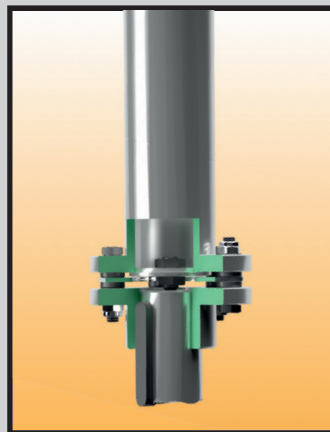
2 RAPID,
EASY
ASSEMBLY

3 REDUCES
OVERALL
COSTS



Example of a connection between jacks

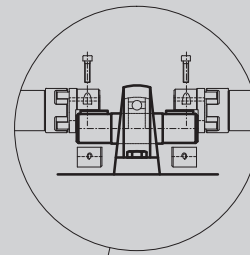
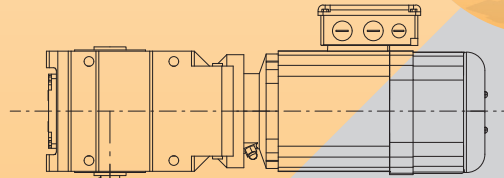
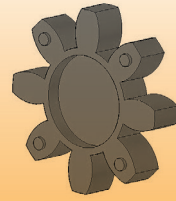
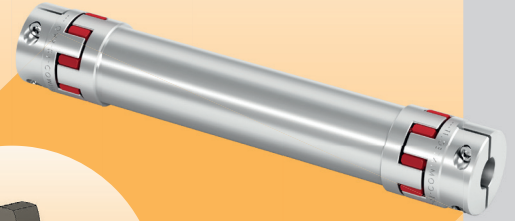
GTR/DBSE				
Size	OD	Max. Bore	Nom. Torque	Max. Torque
	mm	mm	Nm	Nm
0	78	32	60	120
1	80	32	100	200
2	92	38	150	300
3	112	45	300	600
4	136	52	700	1400
5	162	65	1100	2200
6-15	up to 456	up to 205	up to 65000	up to 130000



Solution for vertical assembly with a centrally supported spacer

GAS/SG/DBSE-AL Elastic spacer shaft coupling with flexible elastomeric elements

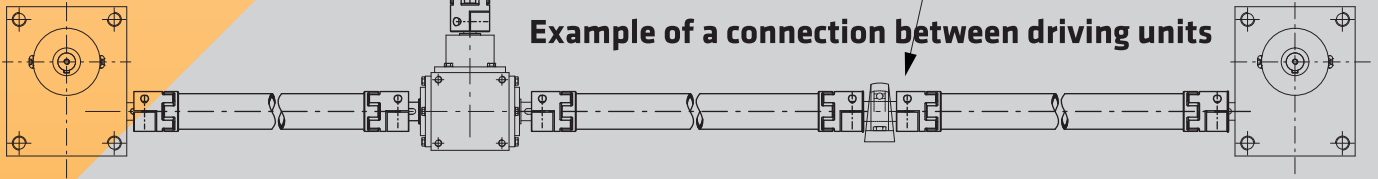
- Hubs and spacer made of fully turned aluminium
- Easy to assemble
- Vibration dampening
- Electrical insulation
- Low inertia
- Flexible spacer coupling with elastomeric elements
- Various hub clamping solutions
- Customised spacer for specific DBSE



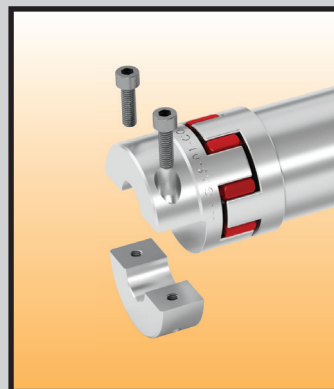
Option of a central support for long length and high speed

4 CAN BE INTEGRATED WITH MECHANICAL SAFETY DEVICES

Example of a connection between driving units



C type clamp lock for mounting the spacer without moving any part of the system



GAS/SG/DBSE				
Size	OD	Max. Bore	■ Nom. Torque	■ Max. Torque
	mm	mm	Nm	Nm
01	30	15	12.5	25
00	40	20	17	34
0	55	30	60	120
1	65	35	160	320
2	80	45	325	650
▲ 3-6	up to 135	up to 70	up to 1040	up to 2080

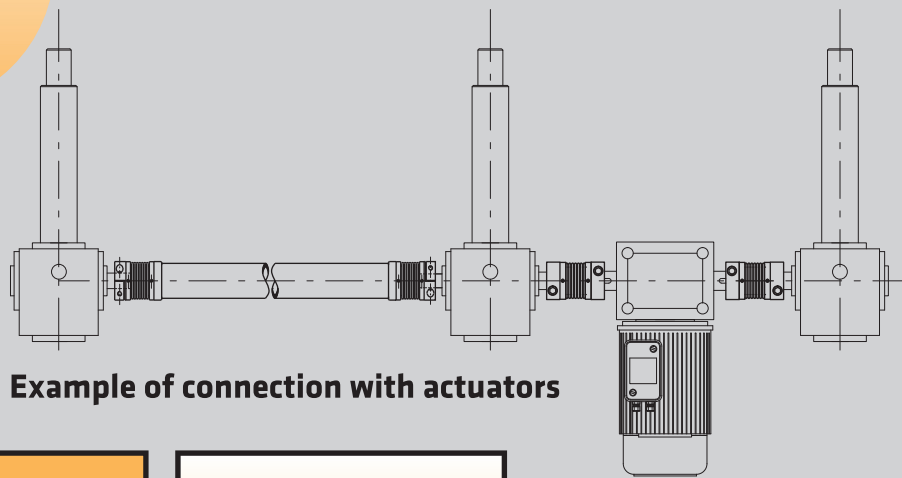
▲ In steel
■ Green elastic element for higher torques

SPACER COUPLING FOR HIGH MISALIGNMENTS



GSF/DBSE Torsionally rigid spacer shaft coupling with flexible bellow element

- Hubs and spacer made of fully turned aluminium
- Stainless steel bellow
- Maintenance free
- Low inertia
- High angular misalignment recovery
- 1 or 2 piece clamp hub with or without keyway
- Customised spacer for specific DBSE with torsional rigidity
- Compatible with high temperatures



Example of connection with actuators

GSF/DBSE				
Size	OD	Max. Bore	Nom. Torque	Max. Torque
	mm	mm	Nm	Nm
1	34	16	5	10
2	40	20	15	30
3	55	30	35	70
4	65	38	65	130
5	83	45	150	300

▲ In steel for higher torques



Example of application with a torque limiter

▲ On request



ComInTec®

ComInTec S.r.l.

Via Dell'artigiano, 9
40055 Villanova di Castenaso (BO) - Italy
Tel. +39 051 780216 - Fax +39 051 782256
info@comintec.it - www.comintec.com

MADE IN ITALY



To discuss your application please contact alan@comintec.it or call on 0778 5320 674